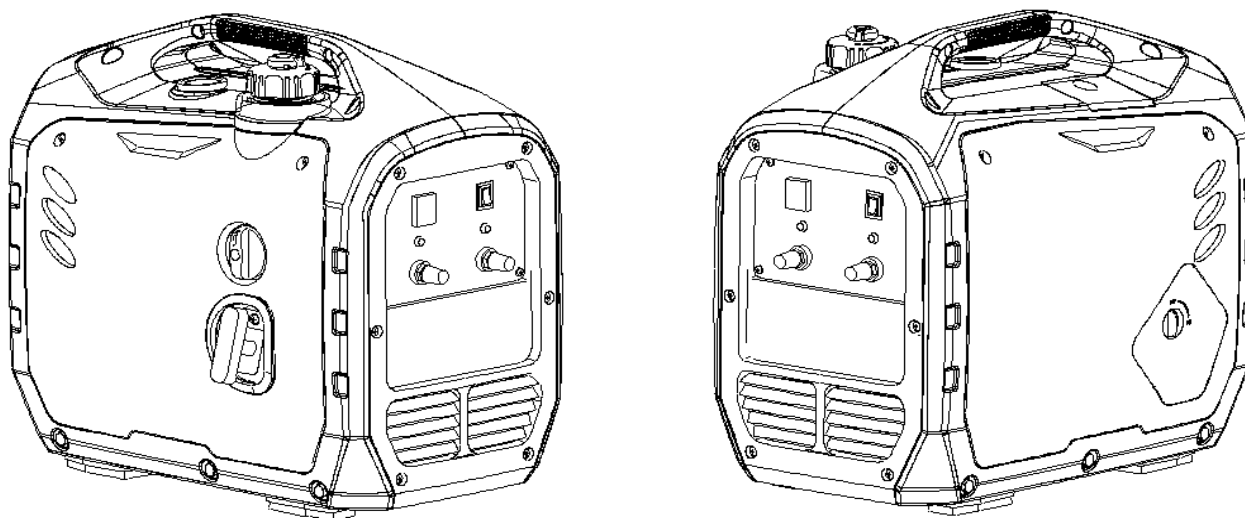
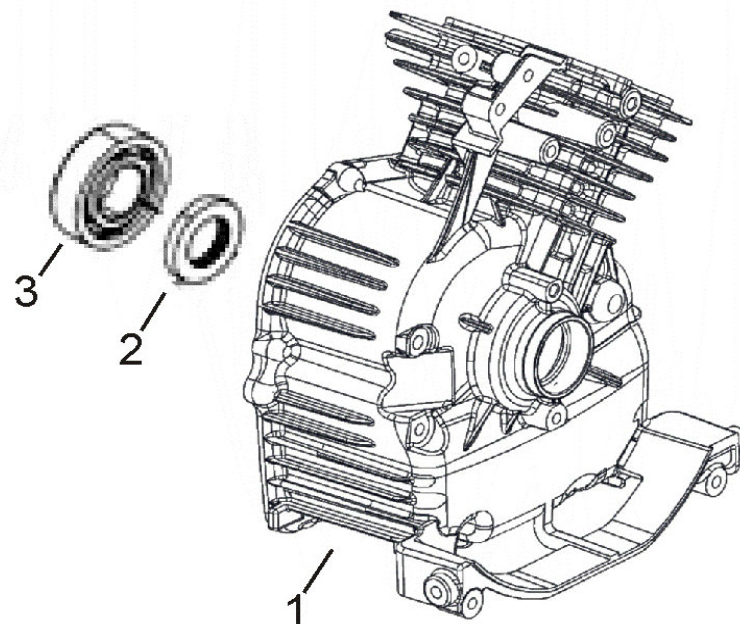


LF2000i-2 (B0720) 产品图册

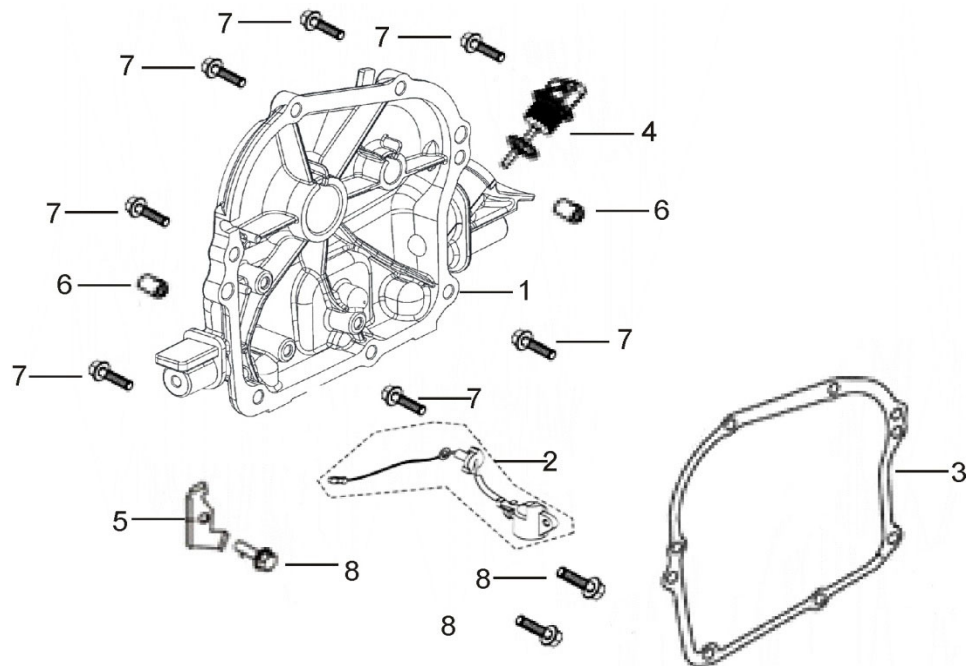


E-1 曲轴箱组合 CRANKCASE ASSY



Id	PartNo	PartName	Description	Quantity	Price
E01-1	11110-A3211	曲轴箱组件	Crankcase subassembly	1	
E01-2	11120-A3211	曲轴油封组件(一)	Oil seal	1	
E01-3	T910-0057	轴承GB/T276	Bearing TM6204	1	

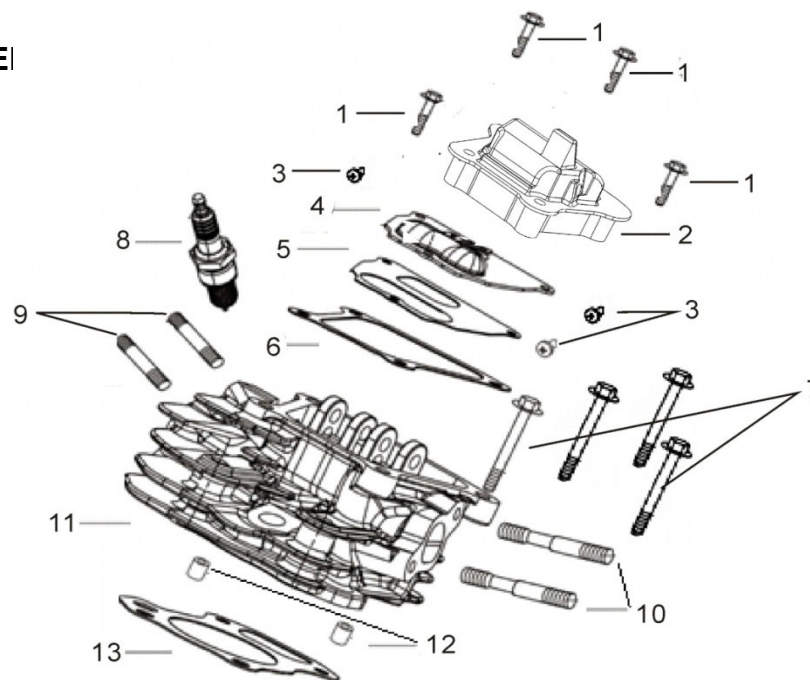
E-2 曲轴箱盖组件
CRANKCASE COVER ASSY



Id	PartNo	PartName	Description	Quantity	Price
E02-1	11211-A3211	曲轴箱盖	Crankcase cover	1	
E02-2	27400-A3210-0001	机油传感器组合	Oil alert assy	1	
E02-3	11114-A3210	曲轴箱垫片	Gasket,crankcase	1	
E02-4	15510-A0710-0009	机油尺组件	Dipsick subassembly,oil	2	
E02-5	24145-A3210-0001	压线板	Crimping board	1	
E02-6	11113-A0710	曲轴箱盖定位销Φ8×14	Pin Φ8×14	2	
E02-7	T152-0013	螺栓GB/T16674 M6×20	Bolt M6×20	7	
E02-8	T152-0054	螺栓GB/T16674 M6×16	Bolt M6×16	3	

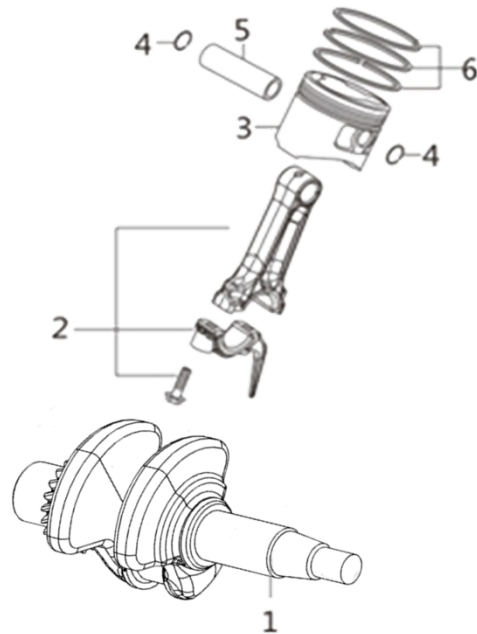
E-3 气缸头 气缸头盖总成

CYLINDER HEAD & CYLINDER HEAD COVER



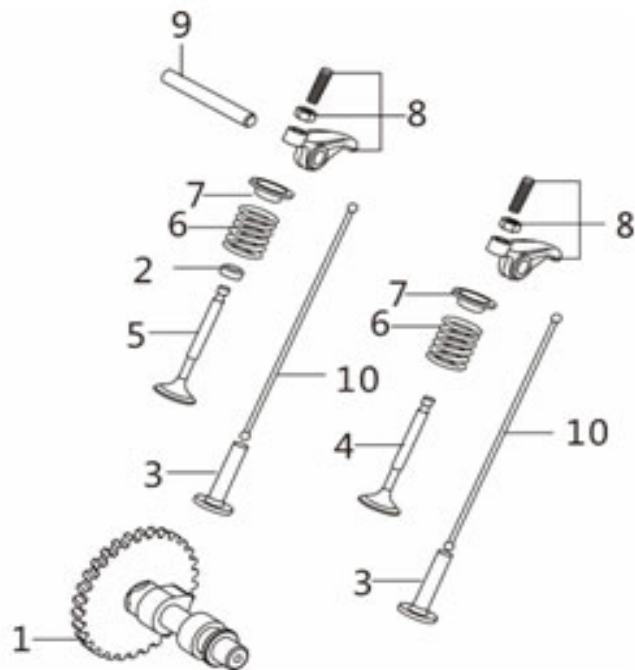
Id	PartNo	PartName	Description	Quantity	Price
E03-1	T152-0025	六角法兰面螺栓GB/T5789 M6×35	Bolt GB/T5789 M6×35	4	
E03-2	12200-A3211-0001	气缸头盖组合	Cylinder head cover Assy	1	
E03-3	T210-0026	螺钉GB/T818 M3×6	nut bolt GB/T818 M3×6	3	
E03-4	12217-A3210-0001	迷宫盖板密封垫	Labyrinth cover gasket	1	
E03-5	12213-A3210-0001	迷宫盖板	Labyrinth cover	1	
E03-6	12212-A3210-0001	气缸头盖密封圈	Gasket, cylinder head cover	1	
E03-7	T152-0123	六角法兰面螺栓GB/T5789 M6×50	Bolt GB/T5789 M6×50	4	
E03-8	27100-A0220-0001	火花塞	Spark plug	1	
E03-9	18214-A1820-0001	双头螺柱GB/T900 M6×82	Stud GB/T900 M6×82	2	
E03-10	17218-A2120-0001	进气口双头螺柱GB/T900 M6×100	Stud GB/T900 M6×100	1	
E03-11	12100-A3211-0001	气缸头组合	Cylinder head Assy	1	
E03-12	11113-A0710-0001	曲轴箱盖定位销8×14	Set pinΦ8×14	2	
E03-13	12121-A3210-0001	气缸头密封垫片	Gasket, cylinder head	1	

**E-4 曲轴 活塞连杆总成 CRANKSHAFT,
PISTON & CONNECTING**



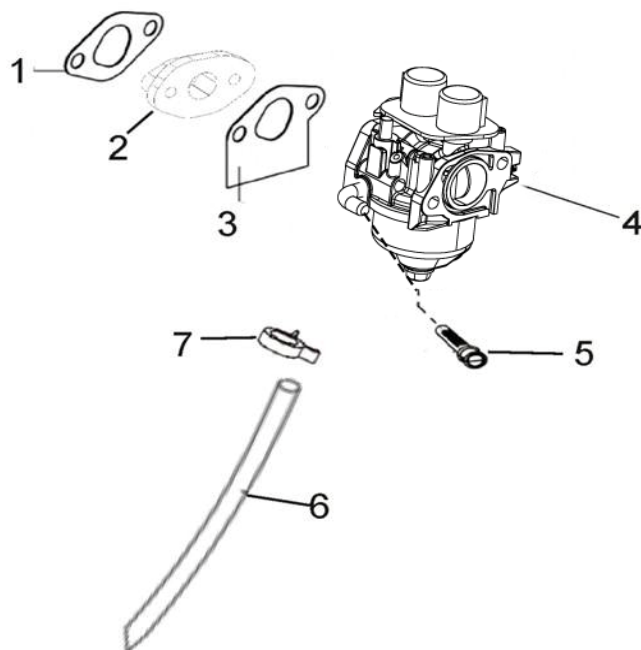
Id	PartNo	PartName	Description	Quantity	Price
E04-1	13110-A3211-0001	曲轴组件	Crankshaft assy	1	
E04-2	13120-A3210-0001	连杆组件	Connect rod assy	1	
E04-3	13311-A3210-0001	活塞	Piston	1	
E04-4	13313-A3210-0001	活塞销挡圈	Piston pin circlip	2	
E04-5	13312-A3210-0001	活塞销	Piston pin	1	
E04-6	13400-A3210-0001	活塞环组合	Piston ring set	1	

E-5 凸轮轴装配组合 气门摇臂组合
COMBINATION OF CAM SHAFT &
VALVE ROCKER



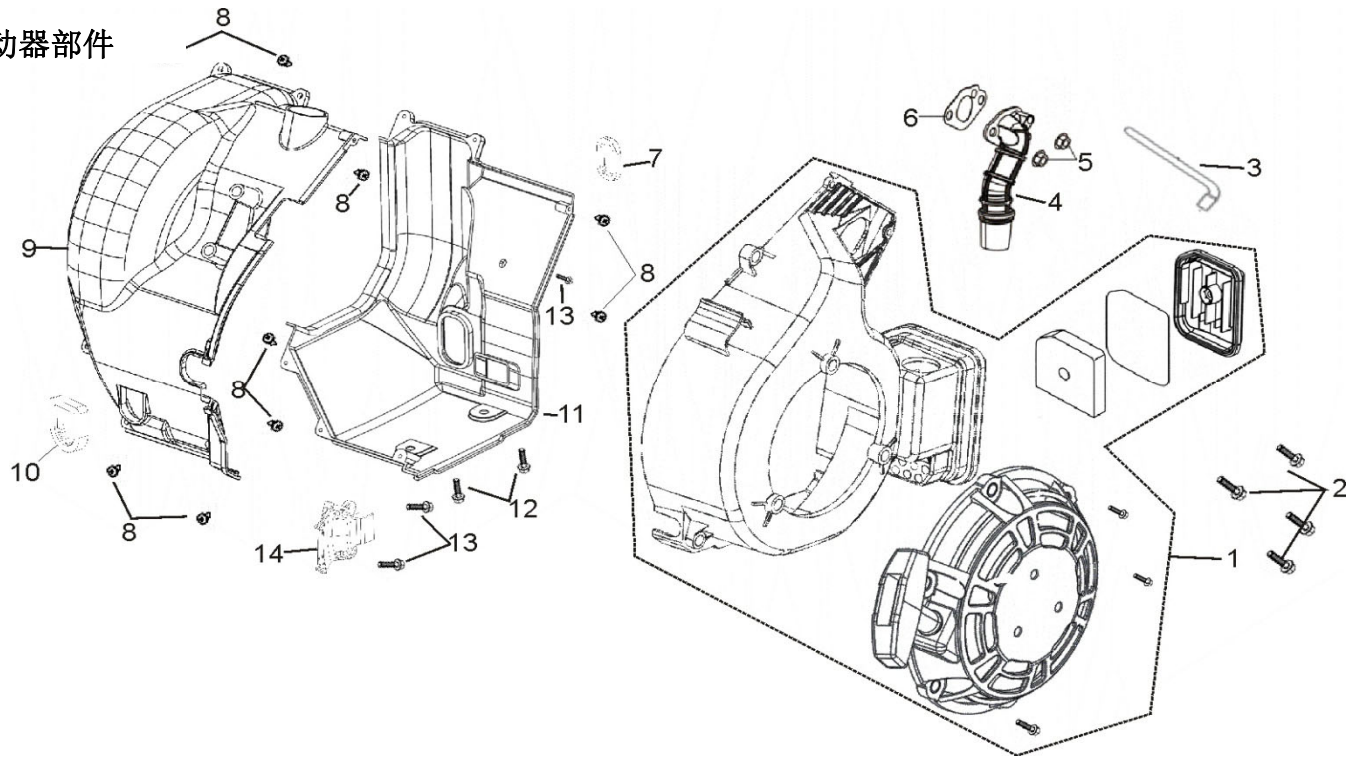
Id	PartNo	PartName	Description	Quantity	Price
E05-1	14100-A3210-0001	凸轮轴装配组合	Camshaft assy	1	
E05-2	14420-A3210-0001	挡油罩组件	Piston pin circlip	1	
E05-3	14315-A3210-0001	挺柱	Tappet	2	
E05-4	14411-A3210-0001	进气门	Intake valve	1	
E05-5	14412-A3210-0001	排气门	Exhaust valve	1	
E05-6	14414A3210-0001	气门弹簧	Valve spring	2	
E05-7	14413A3210-0001	气门弹簧座 (一)	Spring seat, exhaust valve	2	
E05-8	14310-A3210-0001	气门摇臂装配组合	Piston ring set	2	
E05-9	14316-A3210-0001	气门摇臂轴	Woodruff key	1	
E05-10	14210-A3210-0001	推杆组件	Push rod assembly	2	

E-6 化油器总成 CARBURETOR ASSY



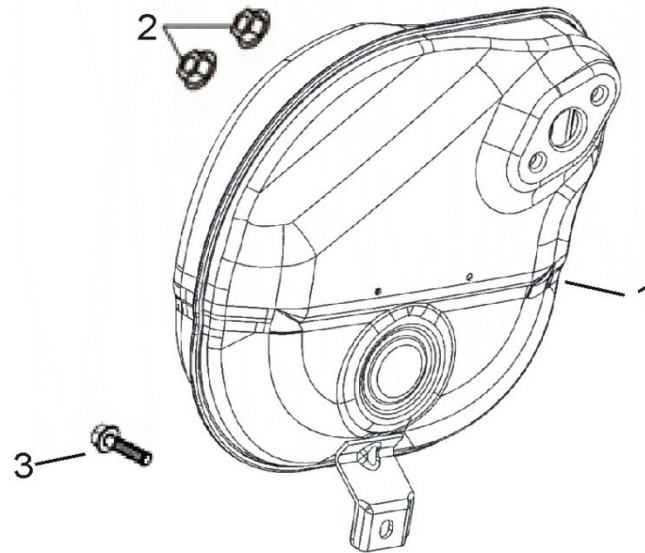
Id	PartNo	PartName	Description	Quantity	Price
E06-1	17219-A3210-0001	进气口垫片	Carburetor gasket	1	
E06-2	16122-A3211-0001	化油器接块	Connecting block	1	
E06-3	16113-A3210-0001	化油器垫片	Carburetor gasket	1	
E06-4	16100-A3210	化油器总成	Carburetor Assy	1	
E06-5	16126-A3210-0001	化油器滤网	Carburetor filter	1	
E06-6	16621-A1110-0002	出油管(一)	Outlet Pipe	1	
E06-7	16622-A0710-0005	油管夹(一)	Oil pipe clamp	1	

E-7 空气滤清器总成 反冲启动器部件
AIR CLEANER ASSY &
RECOIL STARTER PARTS



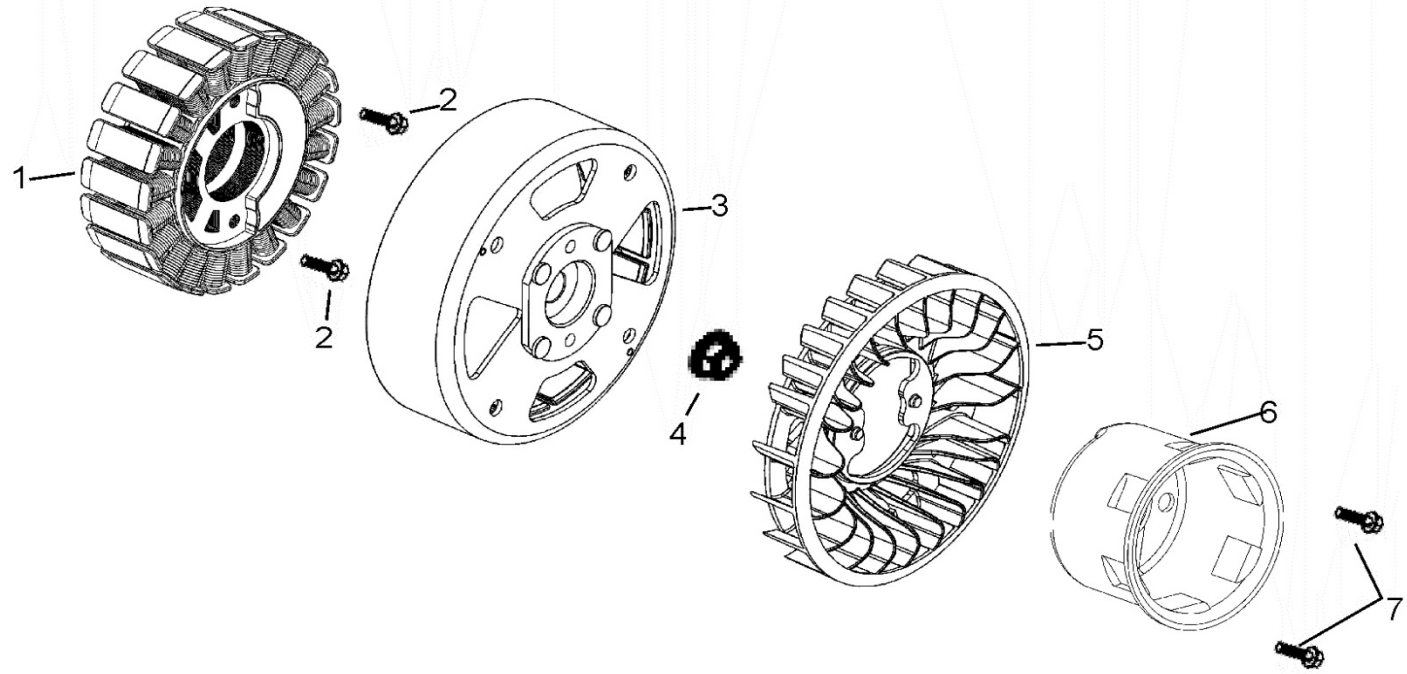
Id	PartNo	PartName	Description	Quantity	Price
E07-1	23100-A3211-0001	反冲启动器总成	RECOIL STARTER PARTS	1	
E07-2	T152-0013	六角法兰面螺栓GB/T5789 M6×20	Bolt GB/T5789 M6×20	4	
E07-3	19143-A3210-0001	废气管	Waste gas pipe	1	
E07-4	17200-A3210-0001	进气管组合	Intake pipe	1	
E07-5	T311-0002	螺母M6 GB/T6177.1	Nut M6	2	
E07-6	17113-A3210-0001	空滤器垫片	Air filter gasket	1	
E07-7	19128-A3211-0001	橡胶圈（二）	Rubber band II	1	
E07-8	T240-0005	自攻螺钉GB/T845	bolt GB/T845 ST4.2	9	
E07-9	18213-A3211-0001	导流罩	Fairing	1	
E07-10	19127-A3211-0001	橡胶圈（一）	Rubber band I	1	
E07-11	18234-A3211-0001	导流罩（一）	Fairing I	1	
E07-12	T151-0005	六角法兰面螺栓GB/T16674 M8×16	Bolt GB/T5789 M8×16	2	
E07-13	T152-0054	六角法兰面螺栓GB/T5789 M6×16	Bolt GB/T5789 M6×16	3	
E07-14	19221-A3211-0001	风扇罩挡风板	Fan shroud baffle	1	

E-8 消声器组件 MUFFLER



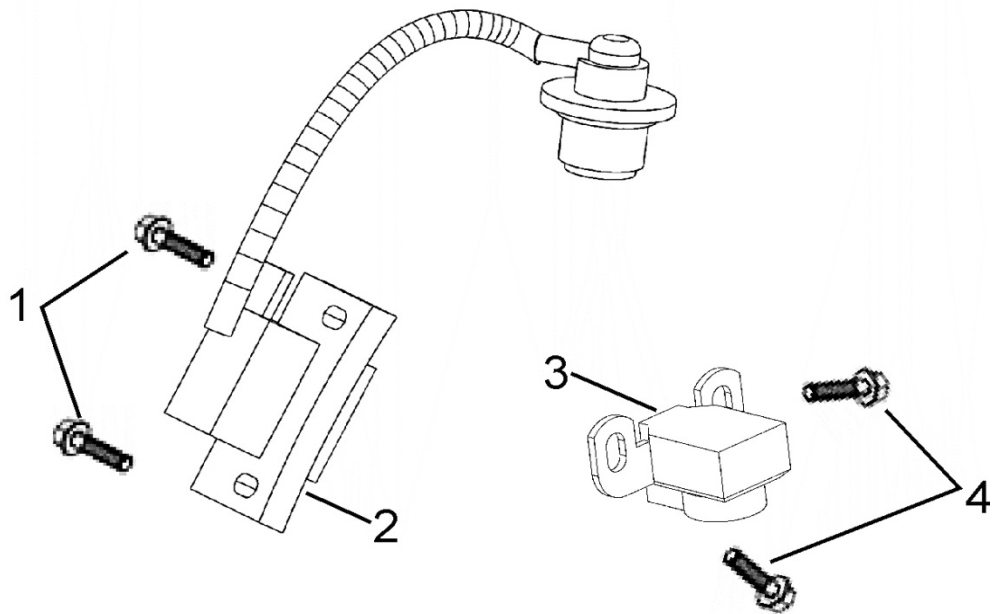
Id	PartNo	PartName	Description	Quantity	Price
E08-1	18000-A3211-0001	消声器总成	Muffler assy	1	
E08-2	T311-0002	螺母M6 GB/T6177.1	Nut M6	2	
E08-3	T152-0054	六角法兰面螺栓M6×16	Bolt M6×16	1	

E-9 风扇 定转子部件
Fan & ROTOR PARTS



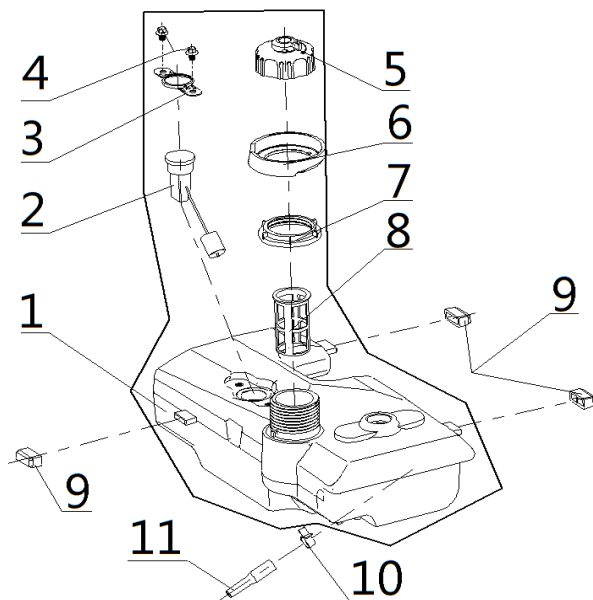
Id	PartNo	PartName	Description	Quantity	Price
E09-1	31110-BO310-0004	定子组件	Stator Assy	1	
E09-2	T152-0025	螺栓GB/T5789 M6×35	Bolt M6×35	2	
E09-3	31120-BO310-0004	转子组件	Rotor comp	1	
E09-4	23317-A0410-0001	飞轮螺母M12×1.25	Nut M12×1.25	1	
E09-5	19111-A3211-0001	飞轮风扇	Generator fan	1	
E09-6	23316-A3211-0001	起动套	Starting flange	1	
E09-7	T230-0007	螺钉GB/T70.1 M6×12	Bolt GB/T70.1 M6×12	2	

E-10 点火线圈组件 IGNITION COI



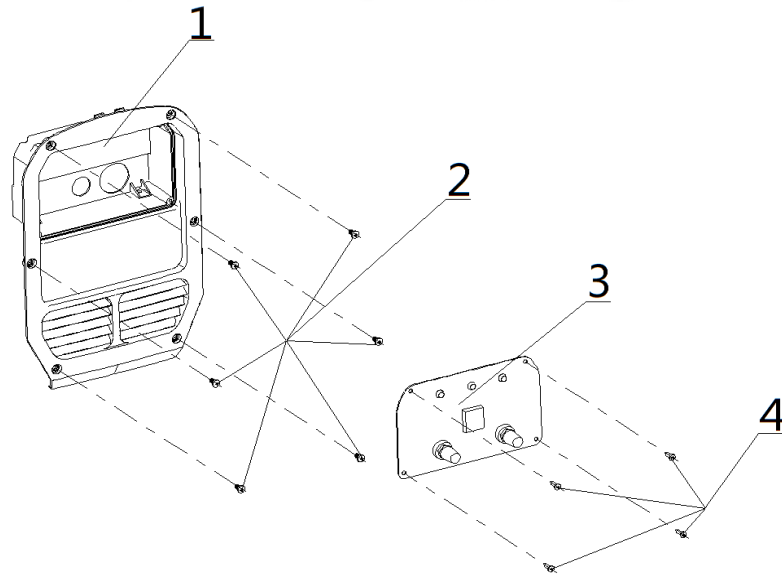
Id	PartNo	PartName	Description	Quantity	Price
E10-1	T151-0013	螺栓GB/T16674 M6×20	Bolt M6×20	2	
E10-2	27200-A3211-0001	点火线圈组合(一)	Ignition coil assy (I)	1	
E10-3	27120-A3211-0001	触发器组件	Trigger component	1	
E10-4	T152-0054	螺栓GB/T5789 M6×16	Bolt M6×16	2	

E-11 燃油箱组合 Fuel tank Assy



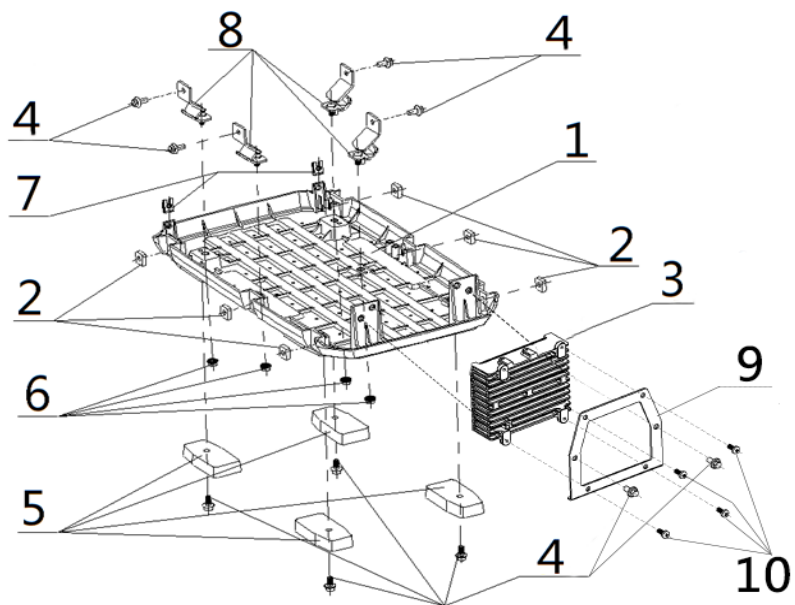
Id	PartNo	PartName	Description	Quantity	Price
E11-1	16510-BO720	燃油箱组件	Fuel tank assy	1	
E11-2	16560-BO710	油位指示器组件	Oil level indicator	1	
E11-3	16568-BO710	燃油箱观察窗	Sight glass	1	
E11-4	T151	六角法兰面螺栓M6×10	Bolt, M6×10	2	
E11-5	16411-BO710	燃油箱盖	Fuel tank cover	1	
E11-6	16915-BO710	燃油箱护罩	Fuel tank hood	1	
E11-7	16430-BO720	油箱口锁紧组件	Fuel tank port locking assembly	1	
E11-8	16610-BO710	过滤杯组件	Filter cup assembly	1	
E11-9	16911-BO710-0003	油箱减震垫	Fuel tank cushion	3	
E11-10	16911-A1713	油管夹 (一)	Oil pipe clamp, I	1	
E11-11	16621-BO720	出油管 (一)	Outlet Pipe, I	1	

G-01 控制面板组件 Control panel



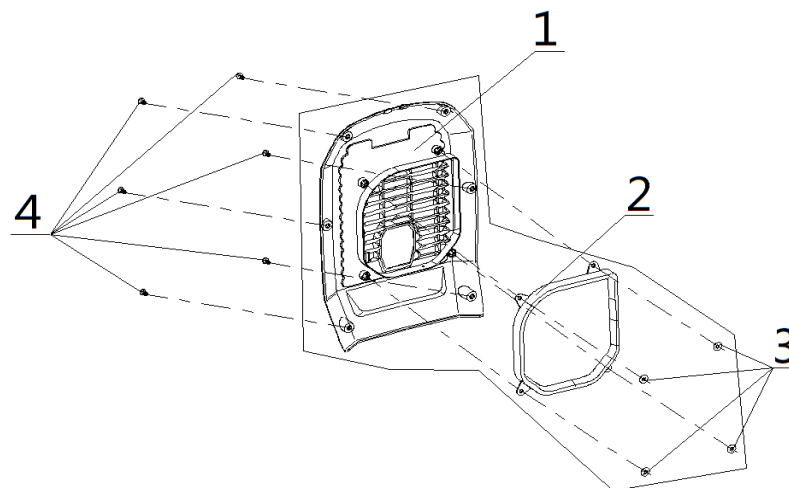
Id	PartNo	PartName	Description	Quantity	Price
G01-1	31264-BO720	面板连接板	Connecting plate	1	
G01-2	T222	十字槽小盘头螺钉	Cross slotted small pan head screw	6	
G01-3	31210-BO720-0002	控制面板前盖组件	Control panel	1	
G01-4	T221	自攻螺钉和平垫圈组合件	Tapping screw & plain washer	4	

G-02发电机部件-底盘
Generator - Chassis



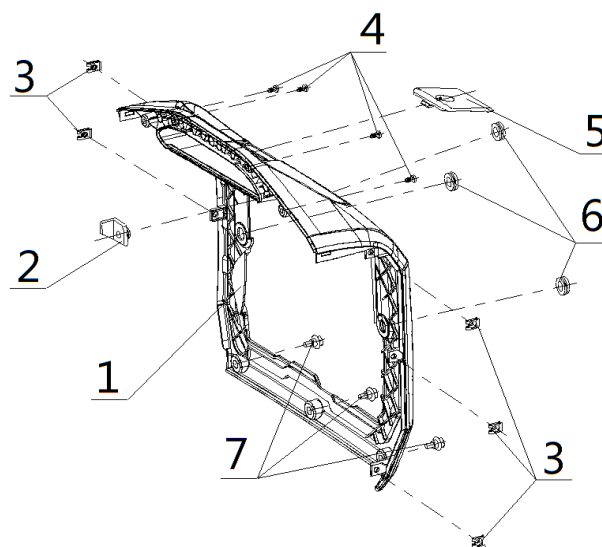
Id	32170-BT710	PartName	Description	Quantity	Price
G02-1	31544-BO720	底盘	Chassis	1	
G02-2	32454-BO710	方螺母 M6	Nut, M6	6	
G02-3	35316-BO310	控制器	Controller	1	
G02-4	T152-0019	六角法兰面螺栓GB/T5789 M6×12	Bolt, M6×12	10	
G02-5	32413-BO720	机架减震垫	Frame cushion	4	
G02-6	T311-0002	六角法兰面螺母GB/T6177.1 M6	Nut, M6	4	
G02-7	32170-BO710	卡子螺母 M5	Clip nut, M5	2	
G02-8	32420-BO710	机组减震垫A组件	Cushion A assy	4	
G02-9	34131-BO720	控制器支架	Controller bracket	1	
G02-10	31153-B9130	十字六角带盘螺栓M5×12	Bolt, M5×12	4	

G-03 发电机部件-右侧护板
Generator - Right side cover



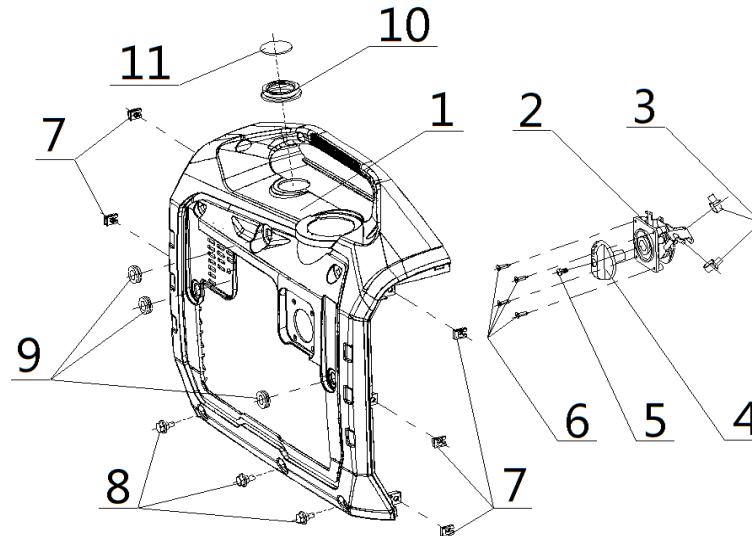
Id	PartNo	PartName	Description	Quantity	Price
G03-1	31555-BO720	右侧护板	Guard, RH	1	
G03-2	31609-BO720	进风缓冲胶套	Boot, air inlet buffer	1	
G03-3	31513-B9130	齿形垫	Washer	4	
G03-4	T222	十字槽小盘头螺钉	Cross slotted small pan head screw	6	

G-04 发电机部件-前箱盖板
Generator - Front fuel tank cover



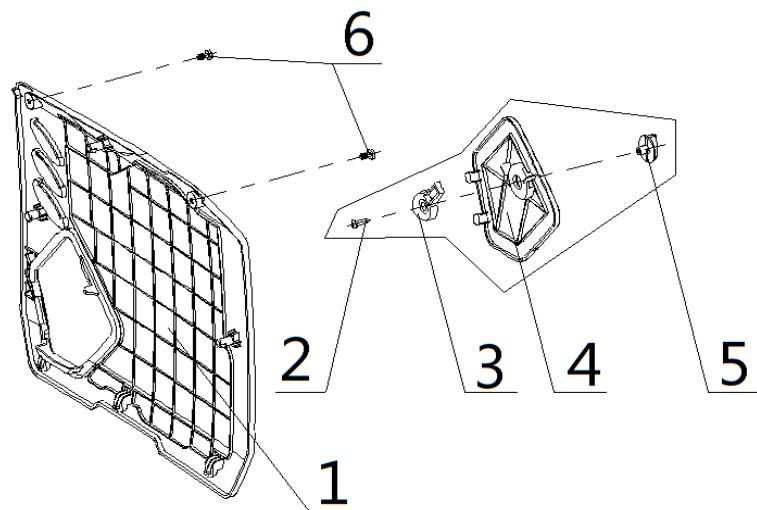
Id	PartNo	PartName	Description	Quantity	Price
G04-1	31553-BO720	前箱盖板	Front fuel tank cover	1	
G04-2	16665-BO720	胶垫	Pad	1	
G04-3	32170-BO710	卡子螺母 M5	Clip nut, M5	5	
G04-4	T222	十字槽小盘头螺钉	Cross slotted small pan head screw	4	
G04-5	16923-BO720	火花塞盖	Spark plug cover	1	
G04-6	16911-BO710	油箱减震垫	Fuel tank cushion	3	
G04-7	16533-BO710	安装螺钉 M6	Screw, M6	3	

G-05 发电机部件-后箱盖板
Generator - Rear fuel tank cover



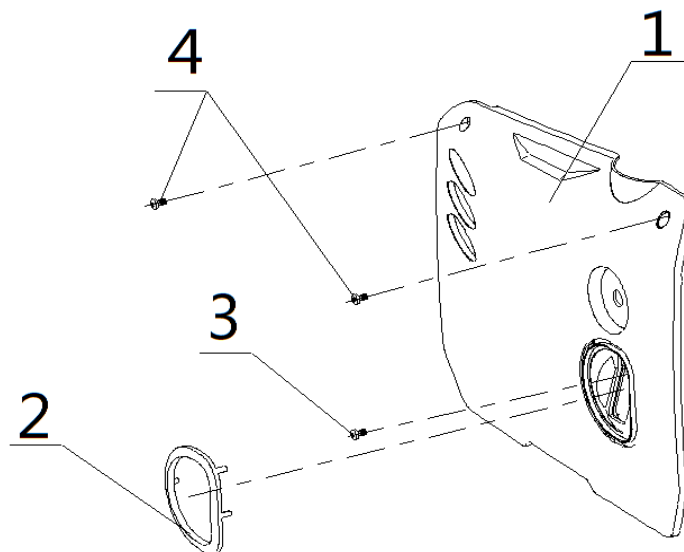
Id	PartNo	PartName	Description	Quantity	Price
G05-1	31554-BO720	后箱盖板	Rear fuel tank cover	1	
G05-2	31380-BO710	3合1开关组合	Three-in-one switch	1	
G05-3	16622-A0710-0011	油管夹 (一)	Oil pipe clamp, I	2	
G05-4	31381-BO720	三合一开关旋转手柄组件	Three-in-one switch knob	1	
G05-5	T210	螺钉GB/T818 M4×12	Screw, M4×12	1	
G05-6	T241-0002	十字槽沉头自攻螺钉ST4.2×12	Screw, ST4.2×12	4	
G05-7	32170-BO710	卡子螺母 M5	Clip nut, M5	5	
G05-8	16533-BO710	安装螺钉 M6	Screw, M6	3	
G05-9	16911-BO710	油箱减震垫	Fuel tank cushion	3	
G05-10	16571-BO710	观察窗密封圈	Sight glass seal ring	1	
G05-11	16568-BO710	观察窗	Sight glass	1	

G-06 发电机部件-前护板
Generator - Front guard



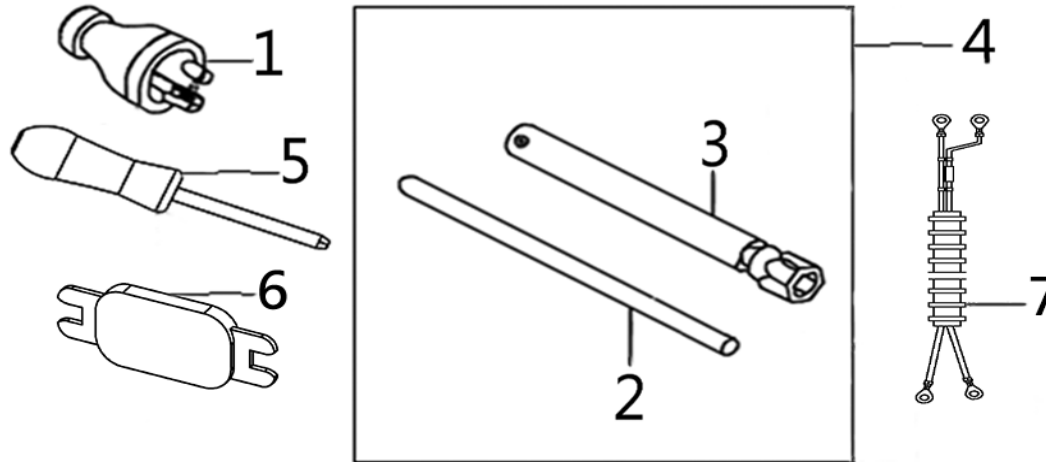
Id	PartNo	PartName	Description	Quantity	Price
G06-1	19116-BO720	前护板	Front guard	1	
G06-2	T240-004	自攻螺钉	Screw, ST4.2×10	1	
G06-3	15525-BO720	机油口挡板开关底座	Oil port baffle switch base	1	
G06-4	31514-BO720	机油口防护板	Oil port guard	1	
G06-5	15524-BO720	机油口挡板开关手柄	Oil port baffle switch handle	1	
G06-6	16533-BO720	安装螺钉M5	Screw, M5	2	

G-07 发电机部件-后护板
Generator - Rear guard



Id	PartNo	PartName	Description	Quantity	Price
G07-1	19117-BO720	后护板	Rear guard	1	
G07-2	91411-BO720	装饰条	Ornament strip	1	
G07-3	T222	十字槽小盘头螺钉	Cross slotted small pan head screw	1	
G07-4	16533-BO720	安装螺钉M5	Screw, M5	2	

G-08 随机工具 /附件
Tools /Accessories



Id	PartNo	PartName	Description	Quantity	Price
G08-1	31224	插头	Plug	1	
G08-2	92232-BO710	火花塞套筒手柄	Spark plug wrench handle	1	
G08-3	92231-BO710	火花塞套筒	Spark plug wrench	1	
G08-4	92230-BO710	火花塞套筒组件	Spark plug wrench set	1	
G08-5	92213-B9130	螺丝刀	Screwdriver	1	
G08-6	31248-BO310	保险管	Safety management	1	
G08-7	31263-BO310	直流输出线	DC output line	1	