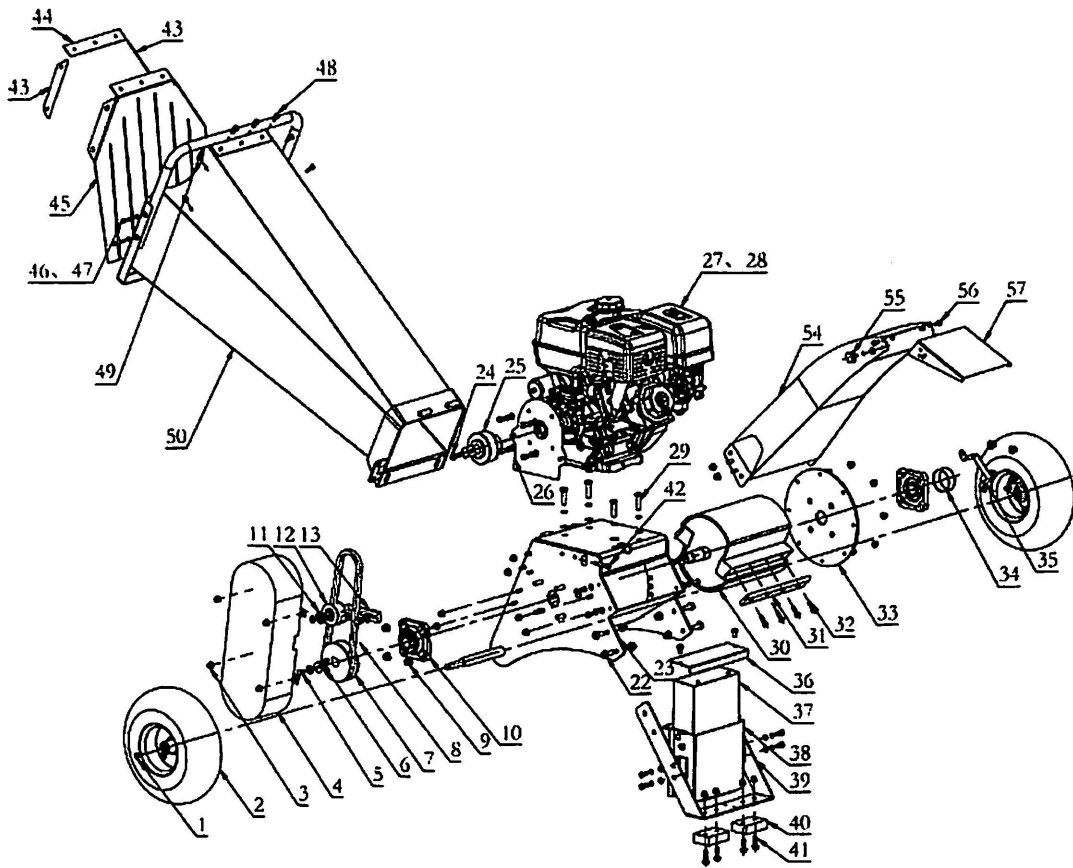


WCS103



Part No.	Description	Part No.	Description
WCS1	Circlips	WCS32	Bolt M8x25
WCS2	Wheel	WCS33	Side cover
WCS3	Flange nut M8	WCS34	Bearing cover
WCS4	Belt cover	WCS35	Bearing cover plate
WCS5	Bolt M8x16	WCS36	Box cover (Only apply on electric start engine)
WCS6	Key parallel pin	WCS37	Battery (Only apply on electric start engine)
WCS7	Pulley	WCS38	Battery box (Only apply on electric start engine)
WCS8	Belt	WCS39	Support stand
WCS9	Flange nut M10	WCS40	Stand pad
WCS10	Bearing Seat	WCS41	Flange Bolt M8x30
WCS11	Bearing	WCS42	Socket head cap screw M8x50
WCS12	Clutch	WCS43	Guard plate
WCS13	Clutch support	WCS44	Guard plate
WCS14	Switch box	WCS45	Hopper guard
WCS22	Flange Bolt M10x30	WCS46	Socket head cap screw M6x40
WCS23	Base frame	WCS47	Flange nut M6
WCS24	Hex head bolts	WCS48	Flange Bolt M6x20
WCS25	Engine pulley	WCS49	Handle
WCS26	Connection plate	WCS50	In-feed bin
M15E	Engine	WCS54	Discharge chute
WCS28	Engine flat key	WCS55	Handwheel
WCS29	Bolt M10x40	WCS56	Flange Bolt M6x16
WCS30	Chipper drum	WCS57	Splash guard
WCS31	Knife		